

## Diaphragm type chemical seal with Clamp connection

### Features

- Quick coupling
- Flush diaphragm at the front
- Foodstuff compatible filling liquids
- Special material for extreme service requirements

### Description

Chemical seals are used when media can falsify the pressure measurements due to high temperature , high viscosity or their propensity to crystallise. Chemical seals transmit the process pressure to the measuring instrument ,with the diaphragm forming a hermetic seal between the medium and measuring instrument. In combination with capillary tube the measuring instruments can be mounted in something meters from the process pressure .

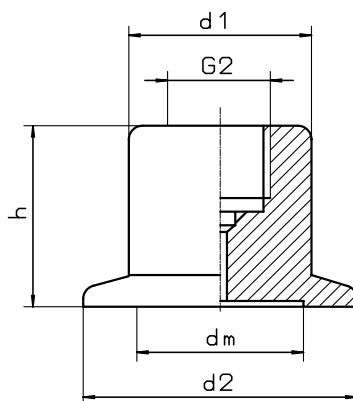


### Applications

- Process engineering
- Chemical and petrochemical industries
- Foodstuff industries

Model	DM-50 40	DM-50 50
Ranges in bar	min. 4 bar max. 40 bar	min. 1,6 bar max. 40 bar
Construction	Clamp-connection	
Upper body	CrNi steel	
Diaphragm	CrNi steel weldet with upper body	
Diaphragm diameter	32 mm	40 mm
Pressure connection	1 1/2"	2"
Operation pressure	PN 40	
Filling liquid	natural oil	
Operating temperature	Medium: -10°C up to 120°C, (for steam sterilization up to 150°C)	

## Clamp connection



Dimensions in mm								Weight	
Model	DN	d1	d2	dm		h		G2	
DM-50	1 1/2"	39	50,5	34		37		G 1/2	0,3 kg
DM-50	2"	51,5	64	45		45		G 1/2	0,7 kg